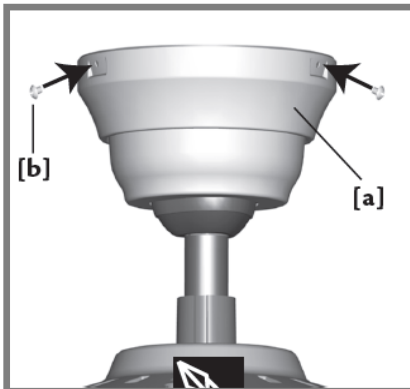


Remote Controls

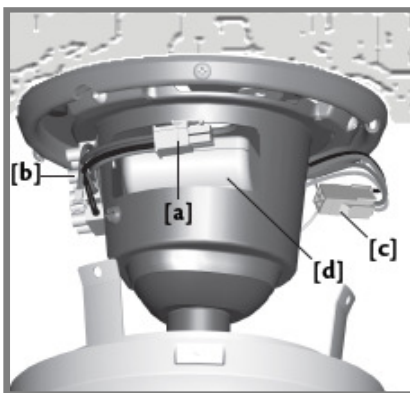
Replacing Receiver &/or Changing DIP Settings



Turn power off to fan.

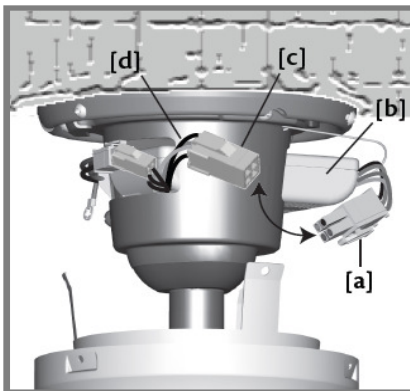
Unscrew the 3 screws (b) from the upper canopy (a), and lower the upper canopy to reveal remote control receiver.

NOTE: The lower canopy should not need to be removed to access the receiver, though it is shown removed in subsequent illustrations. If the lower canopy is removed, one screw MUST be reinserted to lock hanging bracket to mounting plate.



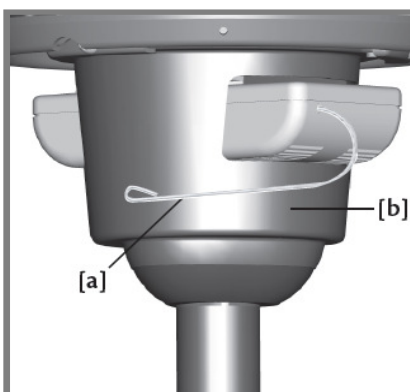
Unplug the remote control receiver (d), by releasing clip and pulling apart both plug connectors (a & c).

NOTE: Only disconnect the DIY plug connector, DO NOT interfere with the electrical connections of the terminal block.



Turn power off to fan, and unplug the remote control receiver (d), by releasing clip and pulling apart both plug connectors (c & d).

NOTE: Only disconnect the DIY plug connector, DO NOT interfere with the electrical connections of the terminal block.



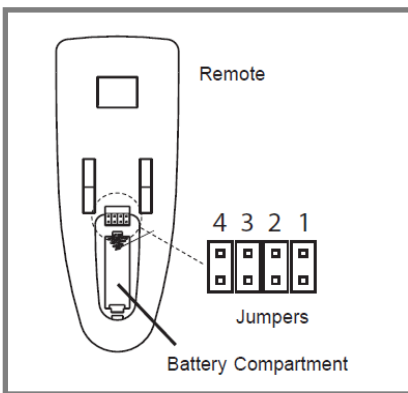
Remove the receiver from the cradle of the hanging bracket (b)

Remote Controls

Replacing Receiver &/or Changing DIP Settings

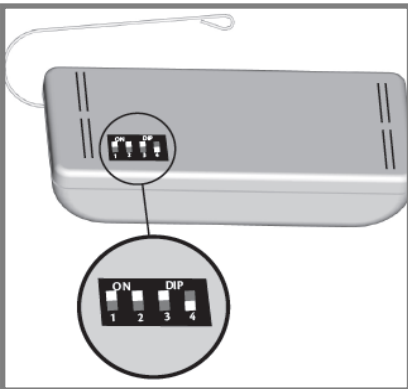


IMPORTANT: Before changing DIP settings, the receiver **MUST** be disconnected, and the battery **MUST** be removed from the transmitter.



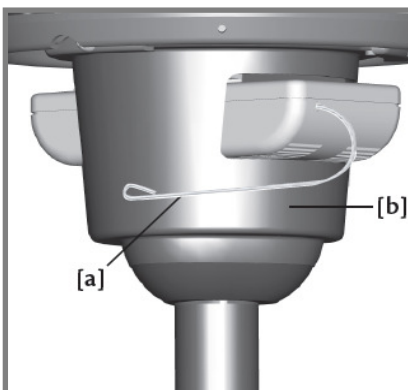
Change the factory default jumper settings to your own unique code. The jumpers are under the battery compartment on the remote. Remove the battery from the remote and make jumper setting changes. A jumper that connects the two pins is equivalent to a DIP switch being set to the ON position.

NOTE: *The jumpers on the transmitter read from right to left, 4-1 and the DIP switches on the receiver read from left to right, 1-4. Be sure to match the settings by number rather than by their right to left positions.*



Adjust the Dip switches on the receiver to the same code as the remote handheld transmitter. DIP switches are on the flat side of the receiver. A switch is "ON" when it is flipped up to "ON". Illustration shows channel 4 is OFF position while 1, 2 and 3 are ON.

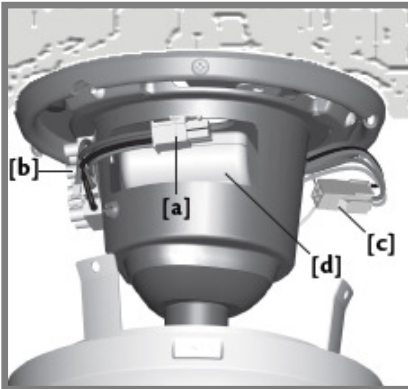
NOTE: *The jumpers on the transmitter read from right to left, 4-1 and the DIP switches on the receiver read from left to right, 1-4. Be sure to match the settings by number rather than by their right to left positions.*



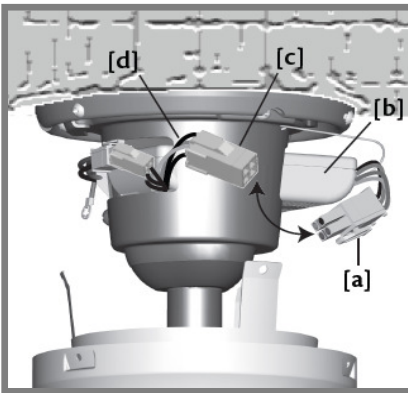
Insert the receiver back into the cradle of the hanging bracket (b)

Remote Controls

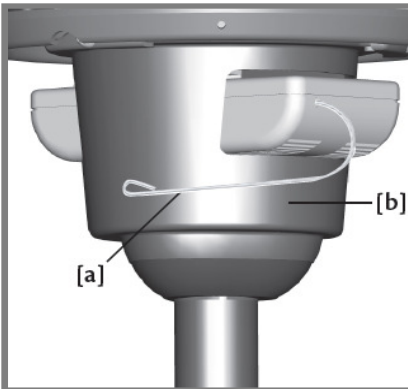
Replacing Receiver &/or Changing DIP Settings



Reconnect the plug connectors (a & c) that were unplugged in step 2, making sure that the colours on each plug connector line up, and that the plug connector securely clips together with locking clip.

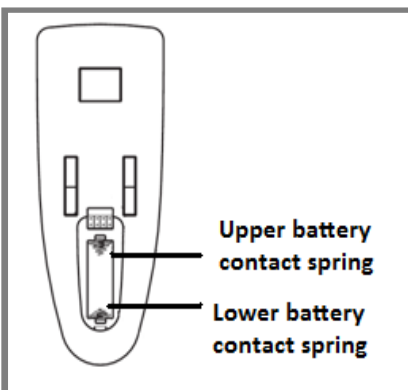


Reconnect the plug connectors (c & a) that were unplugged in step 2, making sure that the colours on each plug connector line up, and that the plug connector securely clips together with locking clip.



Position the antenna (a) around the outside of the hanging bracket (b) as shown, and test remote control operation before proceeding further.

NOTE: If remote experiences no or erratic operation, interference with another RF device may be occurring, and a new code needs to be set – repeat steps 1 to 7.

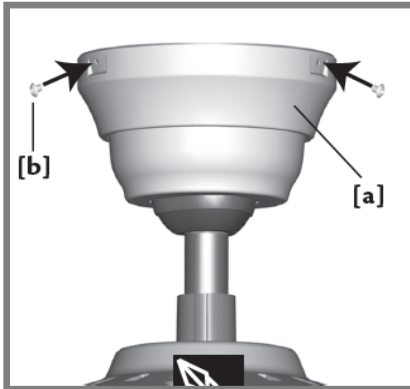


If there is nothing appearing on the LCD screen:

1. The battery may not be installed - **Install new battery.**
2. Battery may require replacing – **Install new battery.**
3. Battery may not be making contact with the springs – **Lift springs so that they can make good contact with battery.**

Remote Controls

Replacing Receiver &/or Changing DIP Settings



Raise the upper canopy and attach using the screws removed in step 1.

NOTE: *If the lower canopy was removed, then it should be installed before the upper canopy.*