



Shown left without glass fitted



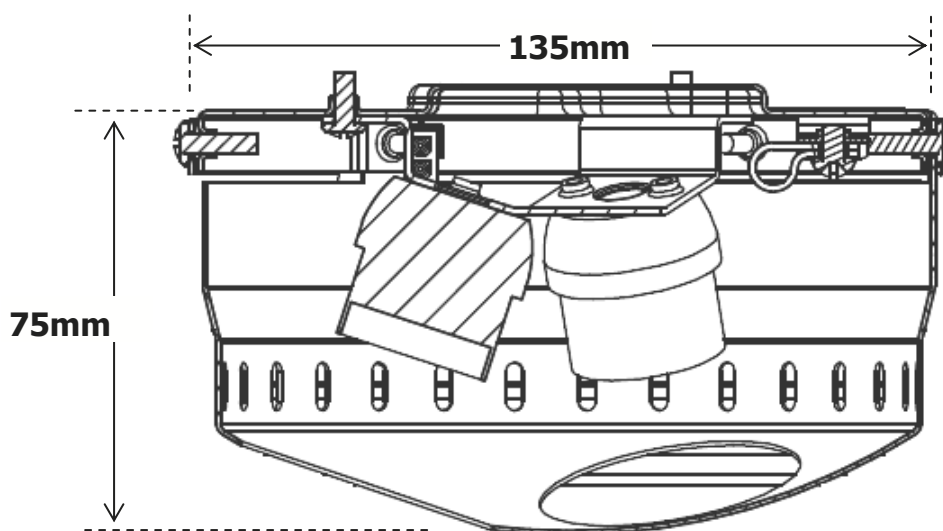
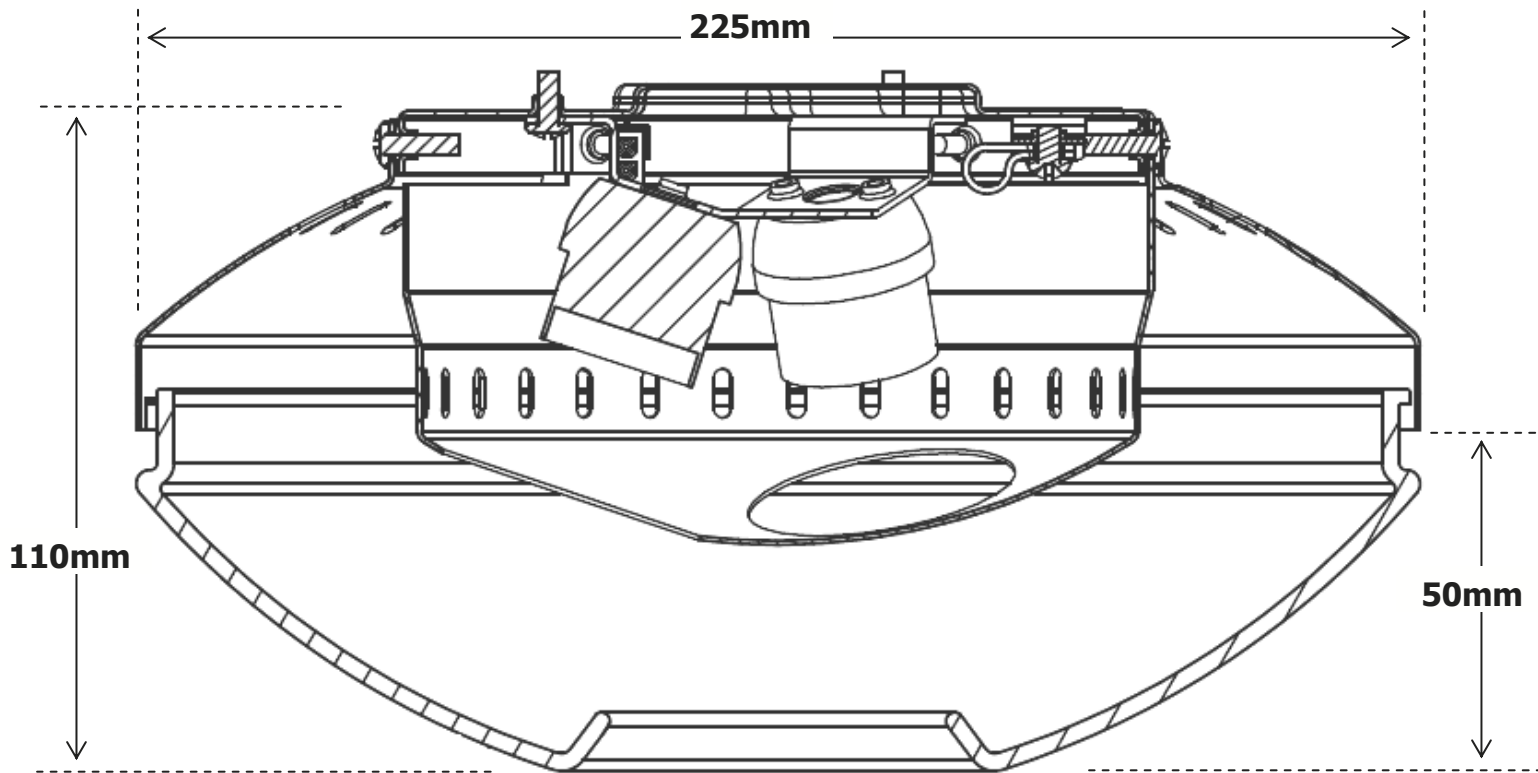
Mandalay Light KitTM

Mandalay is perfectly suited to Hunter's Industrie II, Tribeca, and Avalon ceiling fans. A dual mount light kit, Mandalay is supplied with a glass diffuser, though can be used with or without the glass (as shown). Mandalay is designed for use with 3 x 50W GU10 halogen globes, though is also suitable for use with energy saving CFL & LED GU10's.

24302: Mandalay Brushed Nickel (Globes not included)

24306: Mandalay White (Globes not included)

Mandalay Light Kit™



The Mandalay light kit replaces the bottom plate of a Avalon, Industrie II or Tribeca ceiling fan, and has been designed to match perfectly with these ceiling fans.

When fitted with the frosted glass shade, this light kit will add 110mm to the overall height dimensions of the ceiling fan.

When fitted without the frosted glass shade, this light kit will add 75mm to the overall height dimensions of the ceiling fan.